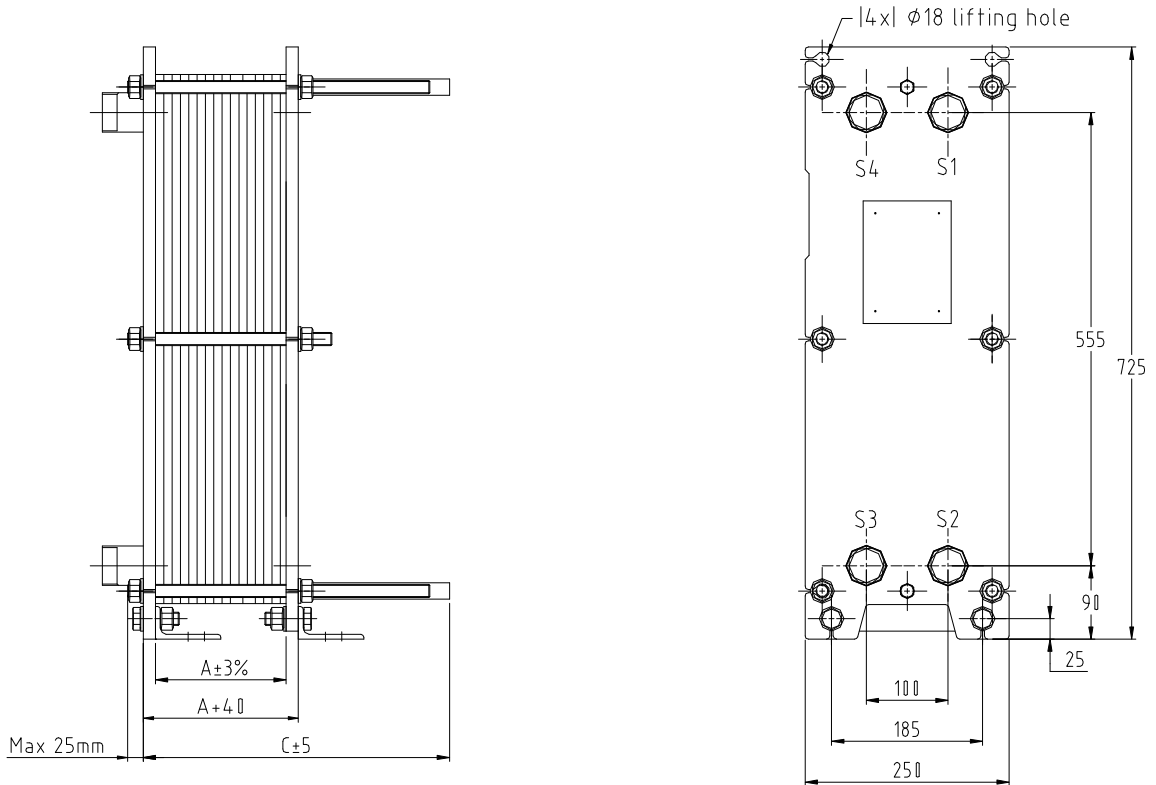




PLATE HEAT EXCHANGER
GC-30NI
 DIMENSIONS, MM



Available connections:

4x tube connections

The Plate Heat Exchanger has 4 connections as standard and should be installed with min. 300 mm space on both sides for service work.

Subject to alterations without prior notice.

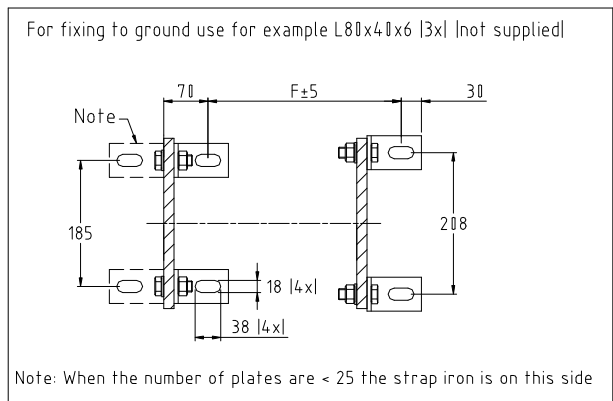
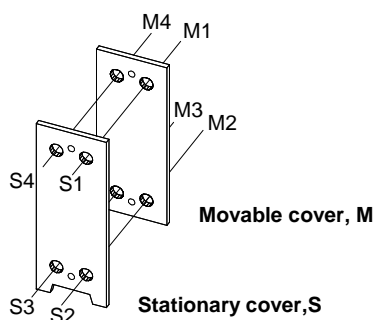
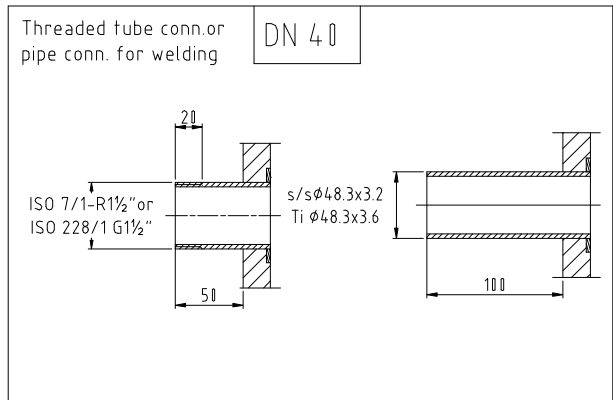




PLATE HEAT EXCHANGER
GC-30NI
DIMENSIONS, MM

Standard connection dimension	DN40
Tightening bolt	M16
No. of tightening bolts (T)	6
Cover thickness	20 mm
Weight of guiding bar	0,9 kg/m
Weight of tightening bolt	2,0 kg/m
A-dimension	3,1*n mm
C-dimension	LG+20 mm
F-dimension	A (when number of plates are ≤25, A+140)
Weight plate+gasket (W)	AISI 304/316 0,6mm Titanium 0,6 mm
	0,56 kg 0,32 kg
Weight Frame	70+n*W kg

Max No of plates	LT	LG	C	F
11	120	230	250	175
23	180	230	250	210
53	325	355	375	165
90	500	570	590	380

LT = Length of tightening bolt
 LG = Length of guiding bar
 n = number of plates

1) The guiding bar is not dimensioned for more plates.

Total max no. of plates	
AISI 304/316 0,6 mm	90 ¹⁾

All data is based on plates with material AISI 304/316 and thickness 0,6 mm.