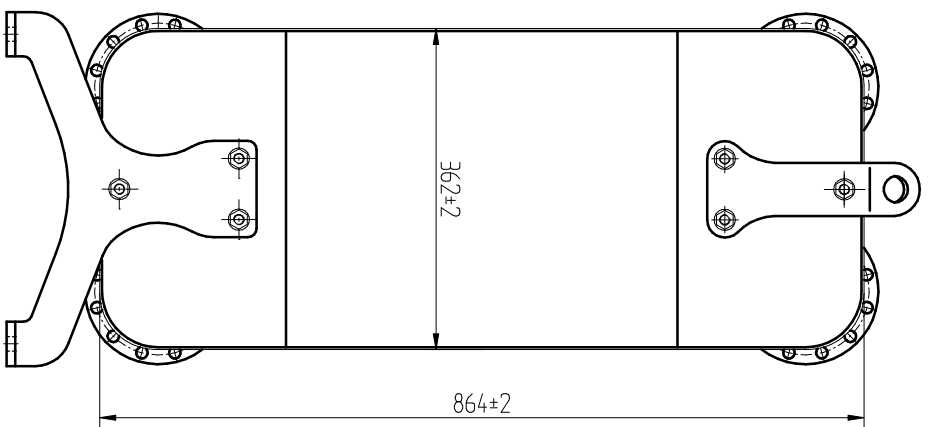
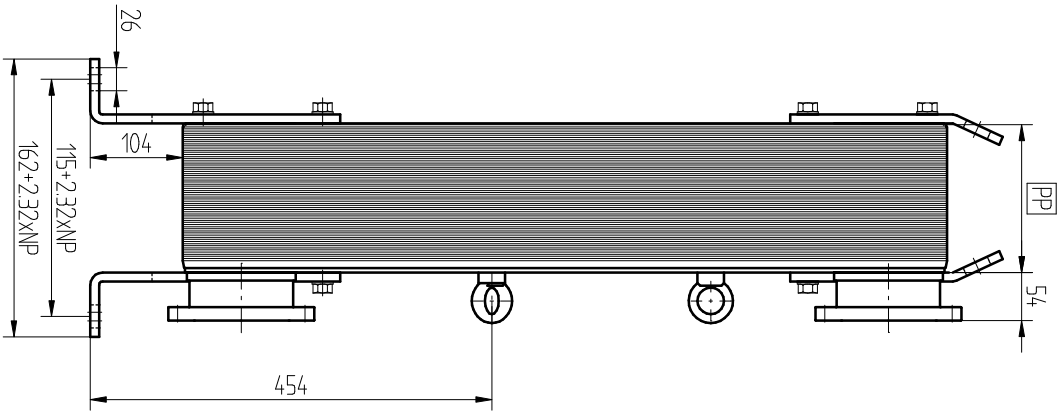
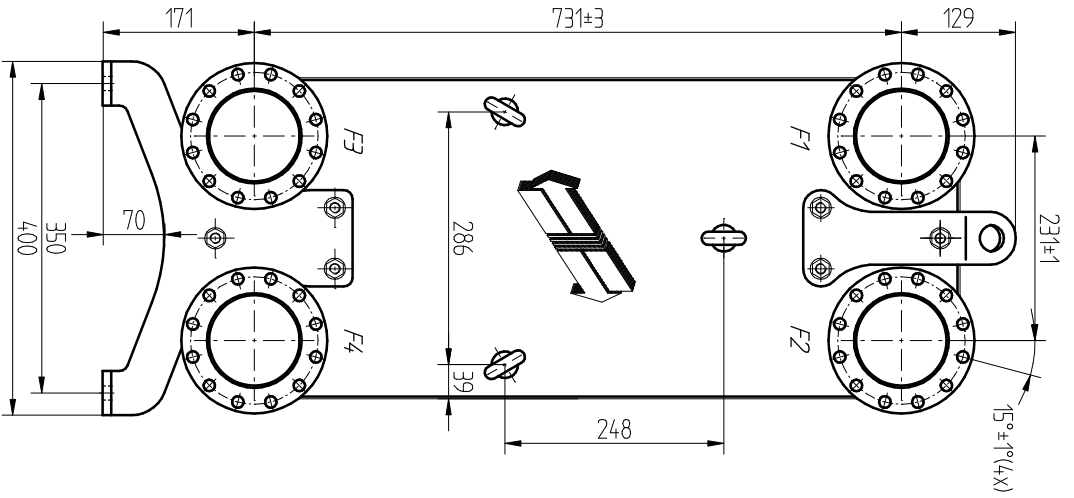


Revision No	Alteration	Date	Checked	Approved
1	GENERAL REVISION	960704	JA	BOS
2	GENERAL REVISION	970227	ES	TAD



PP=17+2.32xNP
NP=No of plates

Connections front side				Connections back side (P)			
Pos	Denomination	Drawing No	Function	Pos	Denomination	Drawing No	Function
F1	DN100C CS Flange	DD000277	Inlet	P1			Outlet
F2	DN100C CS Flange	DD000277	Outlet	P2			Outlet
F3	DN100C CS Flange	DD000277		P3			
F4	DN100C CS Flange	DD000277		P4			
F5				P5			

-01	-	FILLER MATERIAL COPPER	
Item	Quantity	Tracked	Approved
JA	TAD	BOS	
Title / Denomination, code, material, dimension etc.			
B65M 4xDN100C CS			
Date: 96.06.28			
General geometrical tolerancing ISO 2768			
General surface finish Ra			
Article number / reference: 10892-XXX			
Drawing number: AM850007			
Revision: 2			
Scale: 1:1			



Article number / reference: 10892-XXX
Drawing number: AM850007
Revision: 2
Scale: 1:1