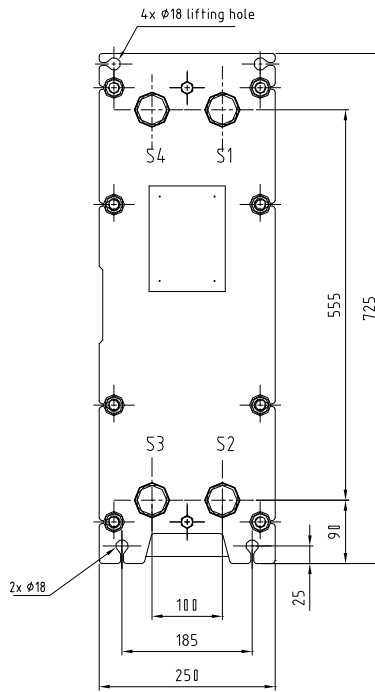
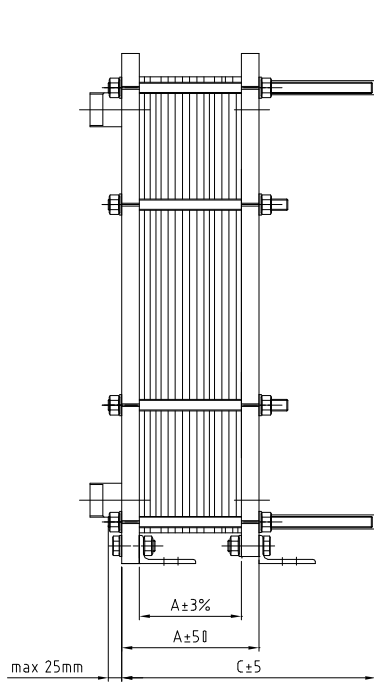




PLATE HEAT EXCHANGER
GC-009PI
 DIMENSIONS, MM



Available connections:

4x tube connections

The Plate Heat Exchanger has 4 connections as standard and should be installed with min. 300 mm space on both sides for service work.

Subject to alterations without prior notice.

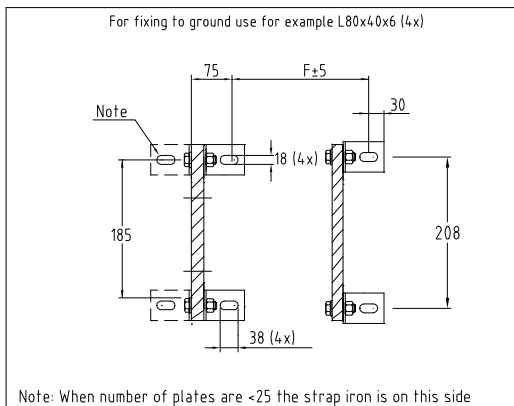
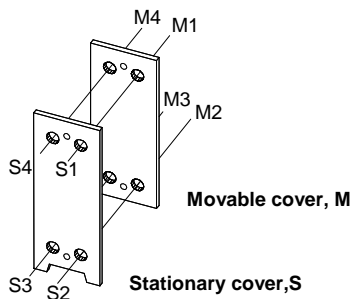
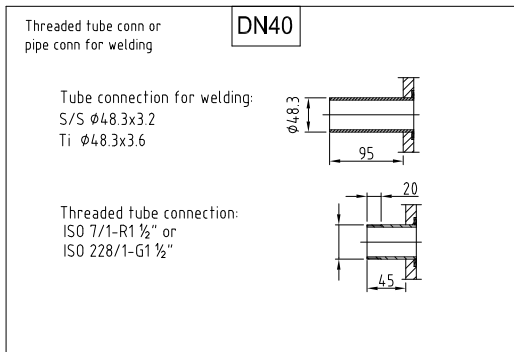




PLATE HEAT EXCHANGER

GC-009PI

DIMENSIONS, MM

Standard connection dimension	DN40
Tightening bolt	M16
No. of tightening bolts (T)	8
Cover thickness	25 mm
Weight of guiding bar	0,9 kg/m
Weight of tightening bolt	2,0 kg/m
A-dimension	2,9*n mm
C-dimension	LG+25 mm
F-dimension	A+25 (when number of plates are ≤25, A+150)
Weight plate+gasket (W) AISI 304/316 0,4mm	0,37 kg
Weight Frame	85+n*W kg

Max No of plates	LT	LG	C	F
12	120	230	255	A+25
26	180	230	255	A+25
45	325	355	380	A+150
80	500	570	595	A+150

LT = Length of tightening bolt

LG = Length of guiding bar

n = number of plates

1) The guiding bar is not dimensioned for more plates.

Total max no. of plates	
AISI 304/316 0,4 mm	80 ¹⁾

All data is based on plates with material AISI 304/316 and thickness 0,4 mm.