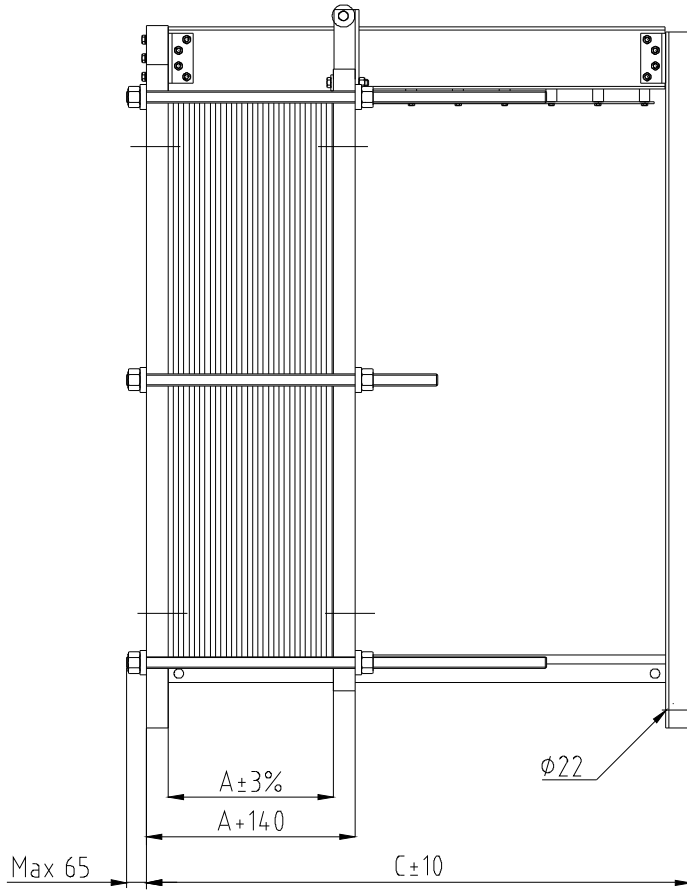
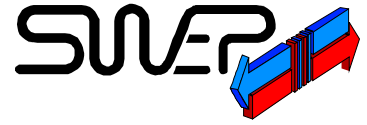


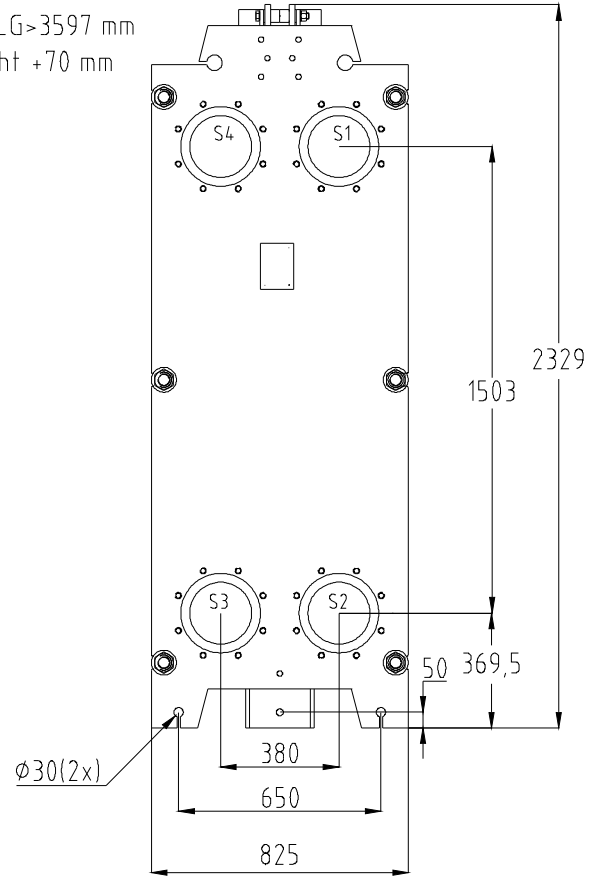
PLATE HEAT EXCHANGER

GF-97N

DIMENSIONS, MM

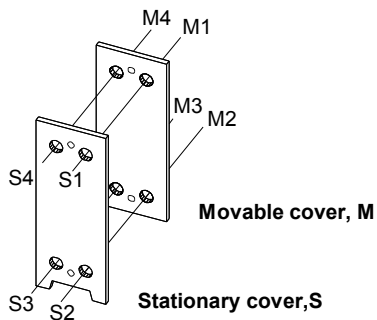
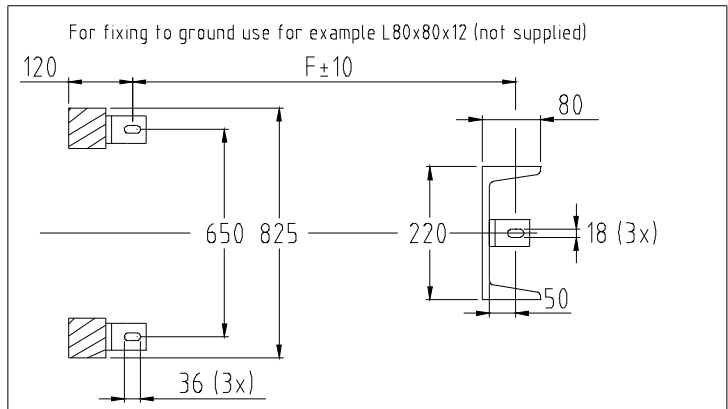


For LG>3597 mm
Height +70 mm

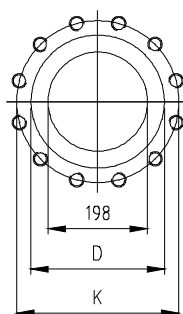


The Plate Heat Exchanger has 4 connections as standard and should be installed with min. 1000 mm space on both sides for service work.

Subject to alterations without prior notice.



Available connections.



Conn. fits	D	K	Threaded	No. of bolts
DIN ×	260	295	M20×30	12
ANSI ×	260	298.4	3/4"UNC×30	12
JIS 10K	260	290	M20×30	16
JIS 5K	260	280	M20×30	12

× DIN 2501 PN 16
ANSI B 16.5 # 1501b

PLATE HEAT EXCHANGER

GF-97N

DIMENSIONS, MM



Standard connection dimension	DN200								
Tightening bolt	M39								
No. of long tightening bolts (T _L)	4								
No. of short tightening bolts (T _S)	2								
Cover thickness	70 mm								
Weight of guiding bar	27 kg/m								
Weight of reinforced guiding bar	41 kg/m								
Weight of tightening bolt	8,1 kg/m								
A-dimension	8,8*n mm								
C-dimension	LG+150 mm								
F-dimension	LG+9 mm								
Weight plate+gasket (W)	<table border="0"> <tr> <td>AISI 304/316 0,8 mm</td> <td>8,4 kg</td> </tr> <tr> <td>AISI 304/316 1,0 mm</td> <td>10,1 kg</td> </tr> <tr> <td>Titanium 0,8 mm</td> <td>5,3 kg</td> </tr> <tr> <td>Titanium 1,0 mm</td> <td>6,3 kg</td> </tr> </table>	AISI 304/316 0,8 mm	8,4 kg	AISI 304/316 1,0 mm	10,1 kg	Titanium 0,8 mm	5,3 kg	Titanium 1,0 mm	6,3 kg
AISI 304/316 0,8 mm	8,4 kg								
AISI 304/316 1,0 mm	10,1 kg								
Titanium 0,8 mm	5,3 kg								
Titanium 1,0 mm	6,3 kg								
Weight Frame	1940+n*W kg								

Max No of plates	LT _L	LG	C	F
18	500	1300	1450	1309
37	750	1300	1450	1309
51	1050	1300	1450	1309
59	1050	1600	1750	1609
74	1350	1600	1750	1609
81	1350	1950	2100	1959
100	1650	1950	2100	1959
103	1650	2200	2350	2209
118	1950	2200	2350	2209
122	1950	2500	2650	2509
140	1950	2500	2650	2509
148	2250	3000	3150	3009
177	3000	3000	3150	3009
203	3000	-	-	-

LT_L = Length of long tightening bolt, based on 13,5 x n + 250 mm

LG = Length of guiding bar, based on 13,5 x n + 600 mm

n = number of plates

- 1) LG>3597 mm reinforced guiding bar Height+70mm.
- 2) The reinforced guiding bar is not dimensioned for more plates.

Total max no of plates	
AISI 304/316 0,8 mm	306 ²⁾

All data is based on plates with material AISI 304/316 and thickness 0,8 mm.