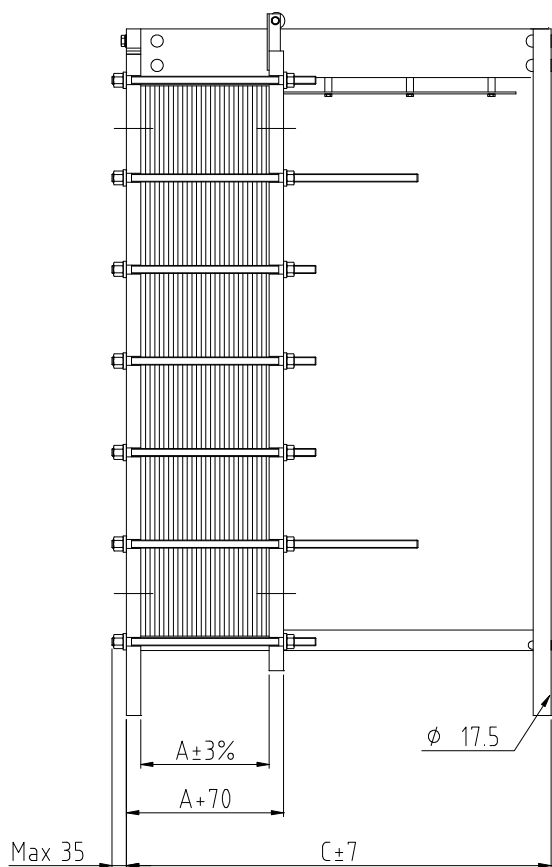
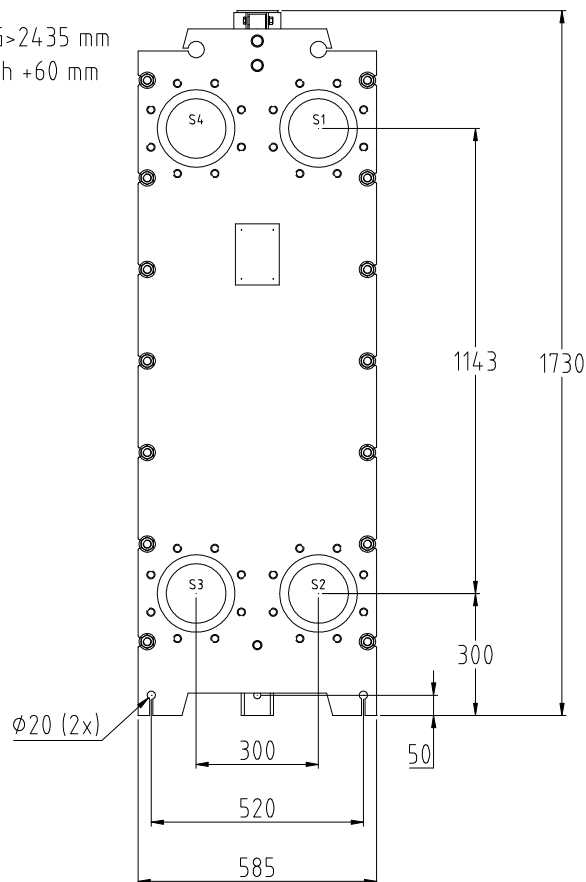




PLATE HEAT EXCHANGER  
**GC-54N**  
 DIMENSIONS, MM

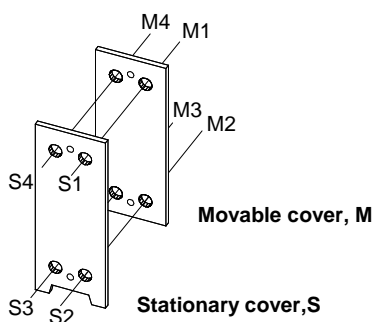
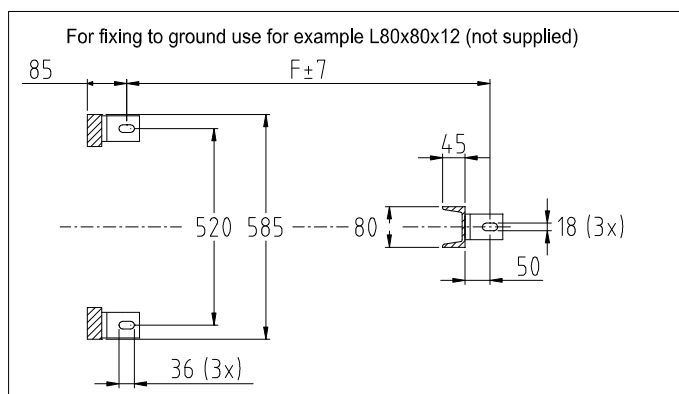


For LG > 2435 mm  
 Height +60 mm



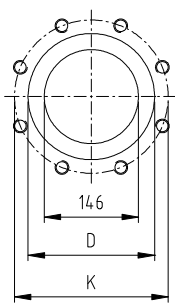
The Plate Heat Exchanger has 4 connections as standard and should be installed with min. 1000 mm space on both sides for service work.

Subject to alterations without prior notice.



Available connections.

Conn. fits	D	K	Threaded	No. of bolts
DIN x	217	240	M20x30	8
ANSI x	217	241.3	3/4"UNCx30	8
JIS 10K	217	240	M20x30	8
JIS 5K	210	230	M16x25	8



x DIN 2501 PN 10  
 ANSI B 16.5 # 150lb



PLATE HEAT EXCHANGER  
**GC-54N**  
DIMENSIONS, MM

Standard connection dimension	DN150
Tightening bolt	M20
No. of long tightening bolts (T <sub>L</sub> )	4
No. of short tightening (T <sub>S</sub> )	10
Cover thickness	35 mm
Weight of guiding bar	11 kg/m
Weight of reinforced guiding bar	17 kg/m
Weight of tightening bolt	2,0 kg/m
A-dimension	2,1*n mm
C-dimension	LG+41 mm
F-dimension	LG+6 mm
Weight plate+gasket (W)	AISI 304/316 0,4 mm Titanium 0,4 mm
	1,92 kg 1,11 kg
Weight Frame	630+n*W kg

Max No of plates	LT <sub>L</sub>	LG	C	F
32	250	600	641	606
62	375	600	641	606
88	500	600	641	606
91	500	1000	1041	1006
151	750	1000	1041	1006
183	1000	1000	1041	1006
210	1000	1350	1391	1356
266	1250	1350	1391	1356
270	1250	1550	1591	1556
314	1500	1550	1591	1556
330	1500	1900	1941	1906
397	1900	1900	1941	1906
425	1900	2250	2291	2256
480	2250	2250	2291	2256
500	2250	3000 <sup>1)</sup>	3041	3006

LT<sub>L</sub> = Length of long tightening bolt, based on 4,2 x n + 114 mm

LG = Length of guiding bar, based on 4,2 x n + 230 mm

n = number of plates

Total max no. of plates	
AISI 304/316 0,4 mm	500

Total min no. of plates	
AISI 304/316 0,4 mm	30

1) LG>2435 mm = reinforced guiding bar, total height +60mm.

All data is based on plates with material AISI 304/316 and thickness 0,4 mm.