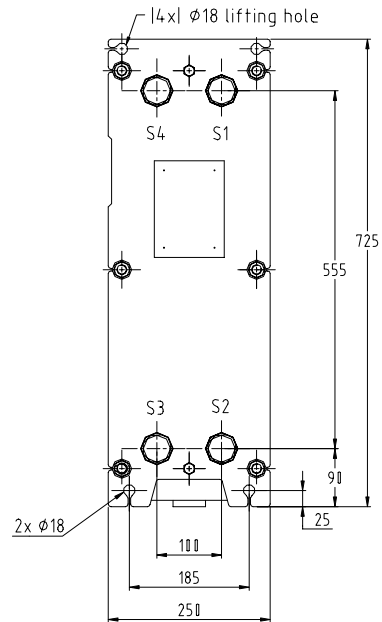
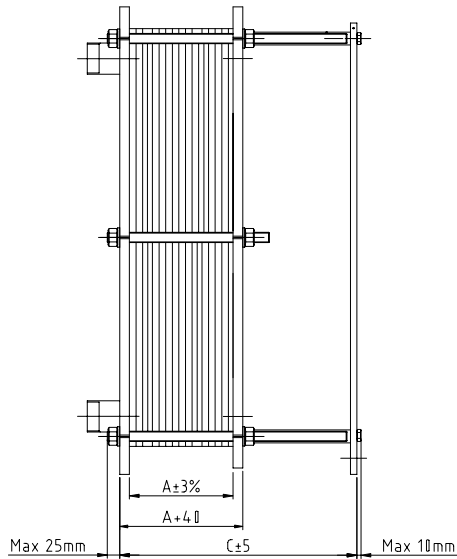




PLATE HEAT EXCHANGER  
GC-30N  
DIMENSIONS, MM



Available connections:

4x tube connections

The Plate Heat Exchanger has 4 connections as standard and should be installed with min. 300 mm space on both sides for service work.

Subject to alterations without prior notice.

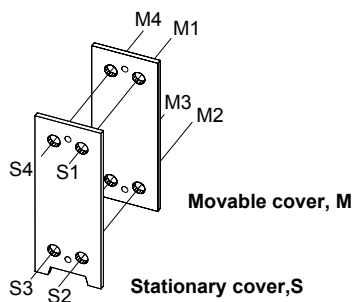
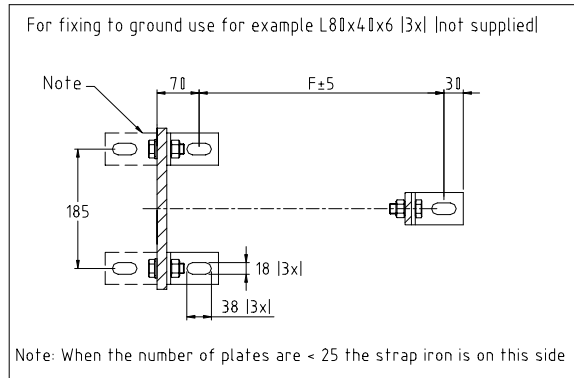
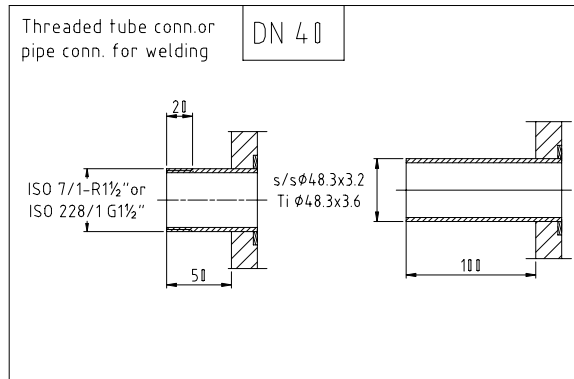




PLATE HEAT EXCHANGER  
**GC-30N**  
DIMENSIONS, MM

Standard connection dimension	DN40
Tightening bolt	M16
No. of tightening bolts (T)	6
Cover thickness	20 mm
Weight of guiding bar	0,9 kg/m
Weight of tightening bolt	2,0 kg/m
A-dimension	3,1*n mm
C-dimension	LG+30 mm
F-dimension	LG+10 mm
Weight plate+gasket (W)	AISI 304/316 0,6mm Titanium 0,6 mm
	0,56 kg 0,32 kg
Weight Frame	74+n*W kg

Max No of plates	LT	LG	C	F
90	500	570	600	580
144	750	820	850 <sup>1)</sup>	810
194	1000	1070	1100 <sup>1)</sup>	1080

LT = Length of tightening bolt  
 LG = Length of guiding bar  
 n = number of plates

Total max no. of plates	
AISI 304/316 0,6 mm	194

1) C > 580 mm use floor support

All data is based on plates with material AISI 304/316 and thickness 0,6 mm.