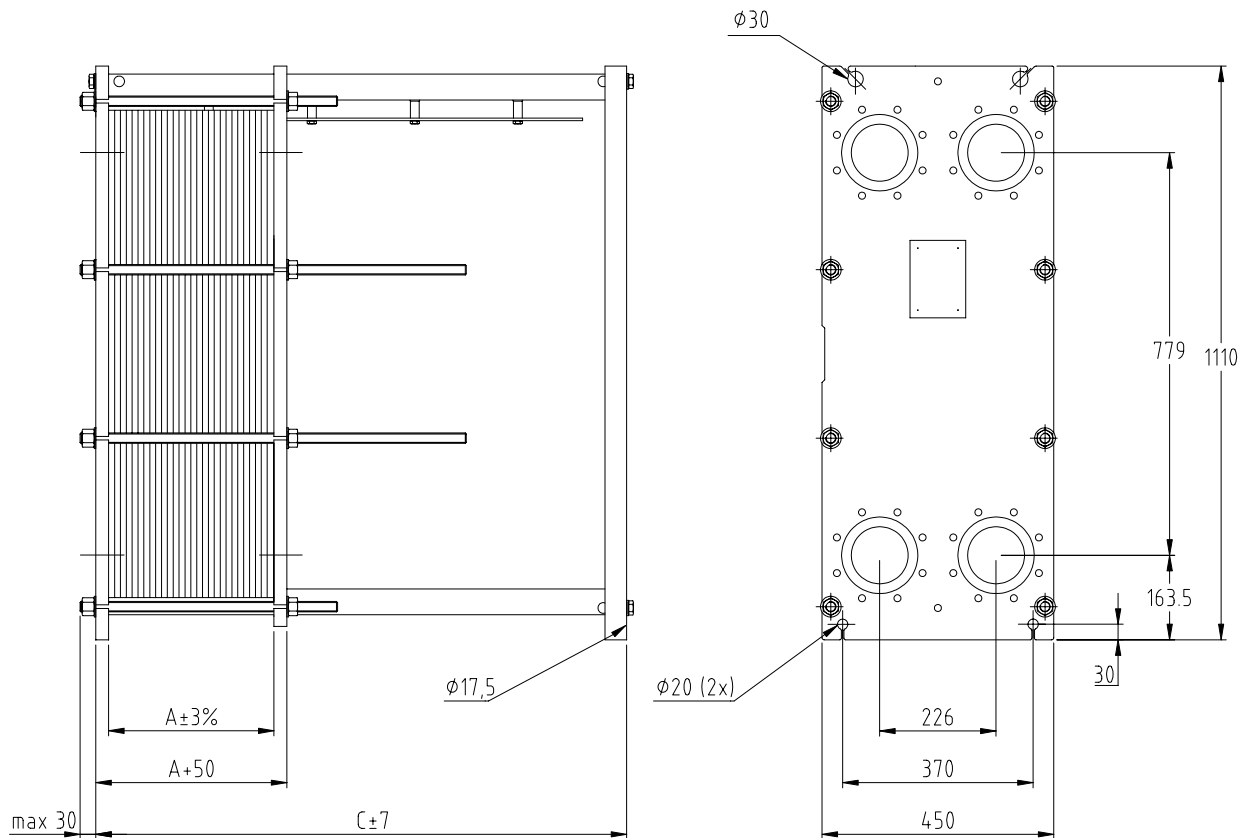


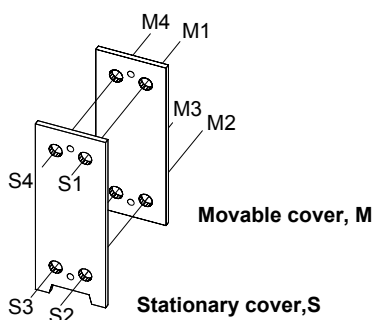
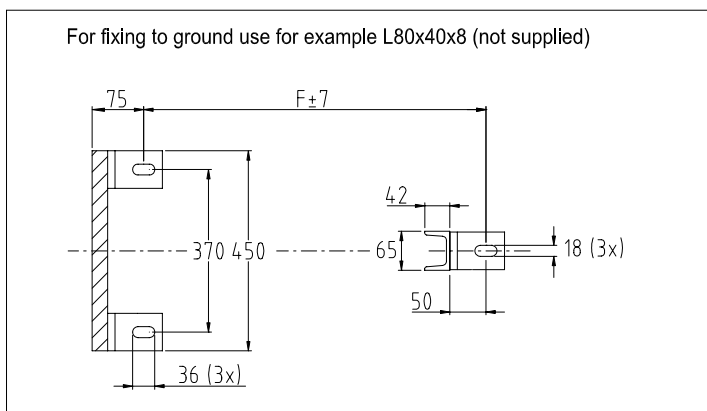


PLATE HEAT EXCHANGER
GC-26N
DIMENSIONS, MM

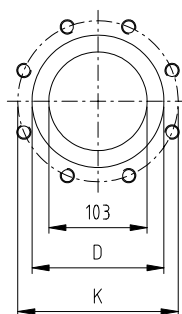


The Plate Heat Exchanger has 4 connections as standard and should be installed with min. 600 mm space on both sides for service work.

Subject to alterations without prior notice.



Available connections.



Conn. fits	K	D	Threaded	No. of bolts
DIN ×	180	148	M16x25	8
ANSI ×	190.5	148	5/8"UNCx25	8
JIS 10K	175	148	M16x25	8
JIS 5K	165	143	M16x25	8

× DIN 2501 PN 16
ANSI B 16.5 # 1501b



PLATE HEAT EXCHANGER
GC-26N
DIMENSIONS, MM

Standard connection dimension	DN100								
Tightening bolt	M20								
No. of long tightening bolts (T)	4								
No. of short tightening (T)	4								
Cover thickness	25 mm								
Weight of guiding bar	2,2 kg/m								
Weight of tightening bolt	2,0 kg/m								
A-dimension	4,5*n mm								
C-dimension	LG+31 mm								
F-dimension	LG+6 mm								
Weight plate+gasket (W)	<table style="width: 100%; border: none;"> <tr> <td style="width: 50%;">AISI 304/316 0,5 mm</td> <td style="width: 50%;">1,50 kg</td> </tr> <tr> <td>AISI 304/316 0,6 mm</td> <td>1,80 kg</td> </tr> <tr> <td>Titanium 0,5 mm</td> <td>0,95 kg</td> </tr> <tr> <td>Titanium 0,6 mm</td> <td>1,14 kg</td> </tr> </table>	AISI 304/316 0,5 mm	1,50 kg	AISI 304/316 0,6 mm	1,80 kg	Titanium 0,5 mm	0,95 kg	Titanium 0,6 mm	1,14 kg
AISI 304/316 0,5 mm	1,50 kg								
AISI 304/316 0,6 mm	1,80 kg								
Titanium 0,5 mm	0,95 kg								
Titanium 0,6 mm	1,14 kg								
Weight Frame	209+n*W kg								

Max No of plates	LT _L	LG	C	F
19	250	400	431	406
25	375	400	431	406
37	375	600	631	606
54	500	600	631	606
56	500	1000	1031	1006
92	750	1000	1031	1006
113	1000	1000	1031	1006

LT_L = Length of long tightening bolt, based on 6,8 x n + 118

LG = Length of guiding bar, based on 6,8 x n + 230

n = number of plates

Total max no. of plates	
AISI 304/316 0,5 mm	113

All data is based on plates with material AISI 304/316 and thickness 0,5 mm.