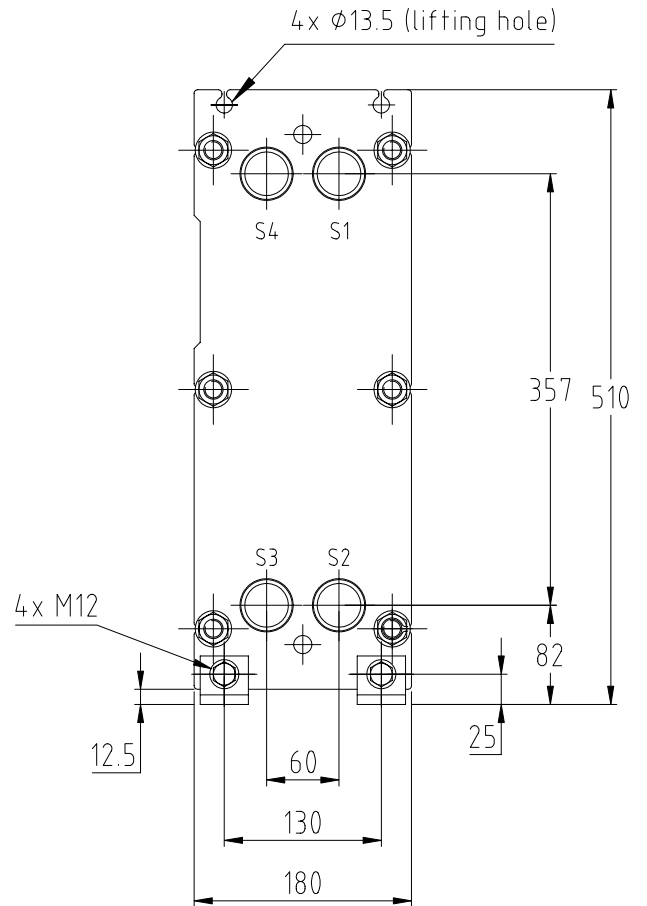
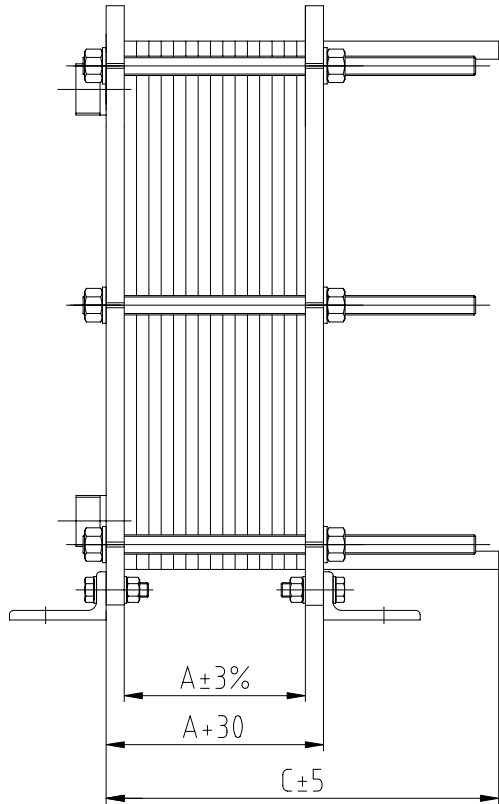




PLATE HEAT EXCHANGER
GC-12PI
DIMENSIONS, MM



Available connections:

4x threaded pipe connections

The Plate Heat Exchanger has 4 connections as standard and should be installed with min. 600 mm space on both sides for service work.

Subject to alterations without prior notice.

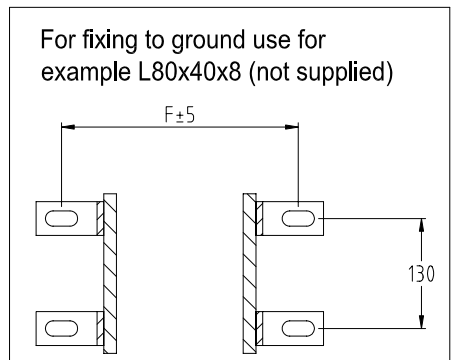
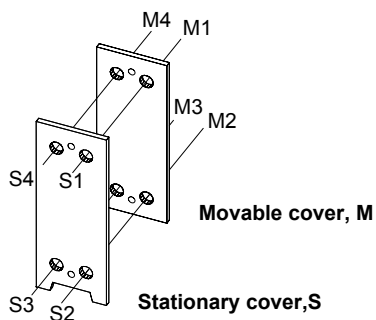
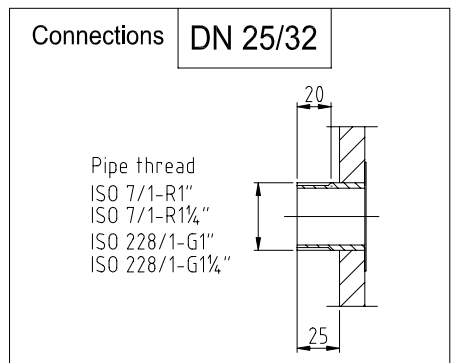




PLATE HEAT EXCHANGER
GC-12PI
DIMENSIONS, MM

Standard connection dimension	DN 25/32
Tightening bolt	M16
No. of tightening bolts (T)	6
Cover thickness	15 mm
Weight of guiding bar	1,4 kg/m
Weight of tightening bolt	1,2 kg/m
A-dimension	3,1*n mm
C-dimension	=LG
F-dimension	A+130 mm
Weight plate+gasket (W)	AISI 304/316 0,6 mm Titanium 0,6 mm
	0,25 kg 0,14 kg
Weight Frame	29+n*W kg

Max No of plates	LT	LG	C	F
15	120	120	120	A+130
29	180	180	180	A+130
61	325	325	325	A+130
99	500	500	500	A+130

LT = Lenght tightning bolt
LG = Lenght guiding bar
n = number of plates

Total max no. of plates	
AISI 304/316 0,6 mm	99

All data is based on plates with material AISI 304/316 and thickness 0,6 mm.