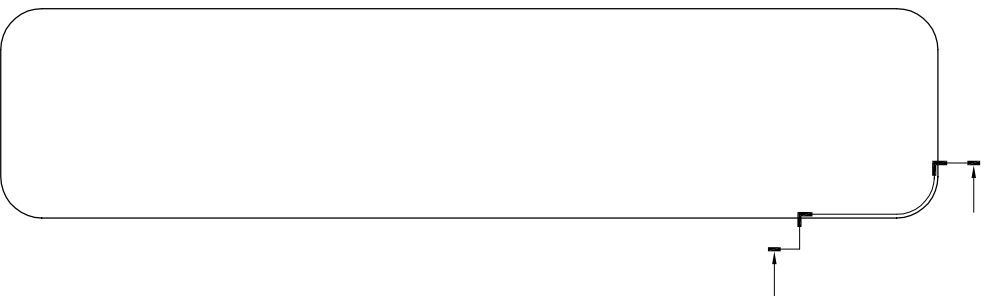
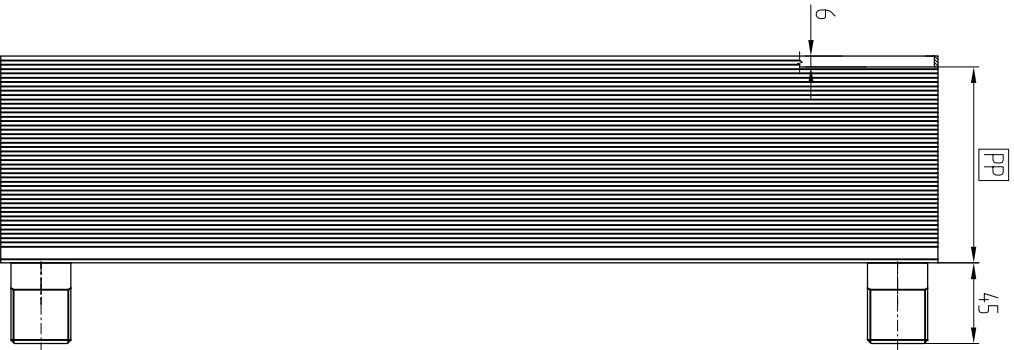
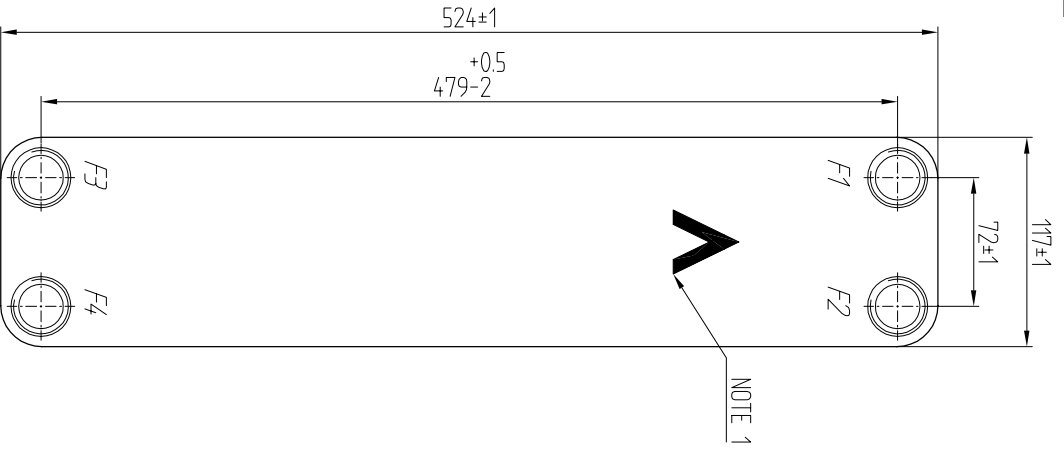


PP=4.4+2.34xNP
NP=No of plates

NOTE 2



NOTE 2 PP TOLERANCE REF: AZPW0055
NOTE 1 ALTERNATE MARKING: STICKER OR STAMPED

ART. NO: 10058-SS LU
: 11927-SS NI

Connections front side		Adapter		Connections back side (P)		Adapter	
Pos	Denomination	Drawing No	Denomination	Drawing No	Pos	Denomination	Drawing No
F1	ISO-5 1" A	CD0000036			P1		
F2	ISO-5 1" A	CD0000036			P2		
F3	ISO-5 1" A	CD0000036			P3		
F4	ISO-5 1" A	CD0000036			P4		

Drawn	TM	Checked	TP	Approved	IP	Date	92.12.11	General geometrical tolerancing ISO 2768		General surface finish Ra		Revision	5	Scale	1/1
						Title	B25 4x1" (45)	ARTICLE NUMBER	SEE ABOVE	Drawing number	AH17-010	Revision	5	Scale	1/1

Revision No	5	Alteration	ADDED MART. NO	Date	000630	Checked	FF	Approved	STA
-------------	---	------------	----------------	------	--------	---------	----	----------	-----